



Europäisches Patentamt
European Patent Office
Office européen des brevets



⑪ Publication number: **0 413 814 A1**

⑫

EUROPEAN PATENT APPLICATION
published in accordance with Art.
158(3) EPC

⑰ Application number: 87905279.3

⑸ Int. Cl.⁵: G01K 7/00, G01K 7/24

⑱ Date of filing: 07.08.87

⑸ International application number:
PCT/JP87/00594

⑹ International publication number:
WO 88/01047 (11.02.88 88/04)

⑳ Priority: 07.08.86 JP 184270/86

㉑ Date of publication of application:
27.02.91 Bulletin 91/09

㉒ Designated Contracting States:
BE CH DE FR GB IT LI NL SE

㉓ Applicant: TERUMO KABUSHIKI KAISHA
No. 44-1, Hatagaya 2-chome, Shibuya-ku
Tokyo 151(JP)

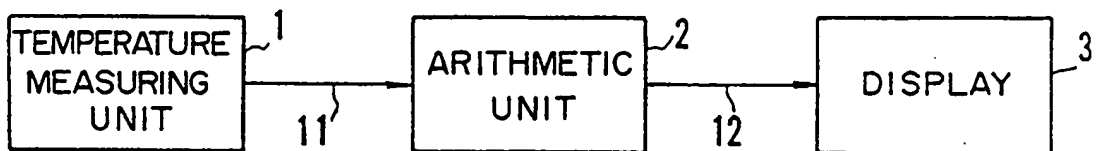
㉔ Inventor: MURAMOTO, Yutaka
3320-5, Mannocharashinden Fujinomiya-shi
Shizuoka-ken 418(JP)

㉕ Representative: Henkel, Feller, Hänzel &
Partner
Möhlstrasse 37
D-8000 München 80(DE)

㉖ **ELECTRONIC THERMOMETER.**

㉗ A predictive electronic thermometer which comprises a temperature-sensitive display, a predictive arithmetic unit and a time measuring unit. The predictive arithmetic unit finds a correction value according to a prediction function that is selected and predicts the final temperature based thereupon. When the temperature rise is unstable and the temperature rises in excess of a range covered by the prediction function, the prediction judging unit judges that the prediction is impossible and discontinues the prediction. In such a case, the thermometer displays the temperature that is sensed in reality.

FIG. 1



EP 0 413 814 A1

ELECTRONIC CLINICAL THERMOMETER

BACKGROUND OF THE INVENTION

1. Related U.S. Patent Applications

5

U.S. patent applications directly or indirectly related to the subject application are the following:

Patent No.: 4,541,734, issued September 17, 1985 by Hideo Ishizaka, entitled Electronic Clinical Thermometer, and Method of Measuring Body Temperature;

10 Patent No.: 4,592,000, issued May 27, 1986 by Hideo Ishizaka, entitled Electronic Clinical Thermometer, and Method of Measuring Body Temperature;

Patent No.: 4,574,359, issued March 4, 1986 by Hideo Ishizaka, entitled Electronic Clinical Thermometer, and Method of Measuring Body Temperature; and

Serial No.: 748,663, filed June 24, 1985 by Hideo Ishizaka, entitled Electronic Clinical Thermometer, and method of Measuring Body Temperature.

15 Serial No.: 021,775, filed March 4, 1987 by Yutaka Muramoto, entitled Electronic Clinical Thermometer.

2. Field of the Invention

20

This invention relates to an electronic clinical thermometer and, more particularly, to a predicting-type electronic clinical thermometer in which a displayed temperature reading rapidly attains an equilibrium temperature even before temperature is sensed in real time.

3. Description of the Prior Art
The advantage of an electronic clinical thermometer which predicts temperature that will be attained at thermal equilibrium is that the equilibrium temperature is displayed at an early stage during the course of measurement. In an electronic clinical thermometer of this type, the early display of temperature is expected to follow a gradient curve and a predicted value of equilibrium temperature is determined on the basis of the sensed temperature. This difference value shall be referred to as an "add-on value" hereinafter. However, when the detected temperature describes an expected curve, the equilibrium temperature cannot be predicted or the reliability of the prediction declines significantly. Though it may be contemplated when such a temperature rise curve is detected, there is very little probability of success even if re-measurement is effected, and the reliability of the prediction is low even if the re-measurement is successful.

SUMMARY OF THE INVENTION

35

The present invention is presented to solve the drawbacks of the prior art, and an object of the invention is to provide an electronic clinical thermometer which presents a reliable temperature display in accordance with the measurement conditions.

40 According to the present invention, the foregoing objects are attained by providing an electronic clinical thermometer comprising temperature sensing means for sensing body temperature, means for measuring elapsed time from the start of measurement, arithmetic means for obtaining a corrective value at that instant utilizing one selected prediction function at one time from among a plurality of the prediction functions in which elapsed measurement time is a variable, each function defining a temperature change up to the a final, predictive calculation means for calculating the equilibrium temperature based upon the obtained corrective value and the sensed body temperature at that instant, evaluating means for evaluating the possibility of establishing a prediction, means for altering the measurement mode to a direct reading mode in accordance with the evaluation made by the evaluating means, display means for displaying a temperature value obtained in a predictive mode or direct reading mode (a mode for displaying the actually measured temperature value).

50 According to another aspect of the present invention, the evaluating means evaluates the possibility of establishing a prediction based upon the magnitude of a parameter employed in the prediction function.

In yet another aspect of the present invention, the evaluating means employs the measured elapsed time as one evaluating element.

In a further aspect of the present invention, the electronic clinical thermometer further includes discriminating means for discriminating the measuring mode in which the thermometer is placed.

Other features and advantages of the present invention will be apparent from the following description taken in conjunction with the accompanying drawings, in which like reference characters designate the same or similar parts throughout the figures thereof.

5

BRIEF DESCRIPTION OF THE DRAWINGS

Fig. 1 is a block diagram illustrating the basic construction of an electronic clinical thermometer according to the present invention;

10 Fig. 2 is a block diagram illustrating, in some detail, the construction of the electronic clinical thermometer of Fig. 1 according to an embodiment of the present invention;

Fig. 3 is a front view of a display unit;

Fig. 4 and 5 are flowcharts indicating a process through which temperature is predicted at thermal equilibrium in an armpit of a subject;

15 Fig. 6 is a graph illustrating a corrective temperature differential curve according to an embodiment of the invention;

Fig. 7 is a graph illustrating a predicted temperature transition;

Fig. 8 is a graph indicating weighting set for an electronic clinical thermometer used in an armpit;

Fig. 9 is a graph indicating weighting set for an electronic clinical thermometer used orally;

20 Fig. 10 is a graph useful in describing the transition of a predicted display temperature from the start of measurement in an armpit;

Fig. 11 is a block diagram illustrating the electronic clinical thermometer in a case where the thermometer comprises a microcomputer.

25

DESCRIPTION OF THE PREFERRED EMBODIMENT

Reference will now be had to the block diagram of Fig. 1 showing the basic construction of an electronic clinical thermometer according to the present invention. The electronic clinical thermometer 30 basically constructed by a temperature measurement unit 1, which detects the temperature of the region where the measurement is performed and produces temperature signals prediction operation unit 2 which normally performs a prediction operation for obtaining the equilibrium temperature and in time produces a temperature detected signal when a predetermined situation is detected by the unit 2 and a display unit 3 which displays the temperature data.

35 The temperature measuring unit 1 is constituted by circuitry having a temperature responsive element such as a thermistor for real-time temperature measurement of a part of the human body.

The arithmetic unit 2 is composed of circuitry for predicting the temperature at thermal equilibrium. For this purpose it monitors, substantially continuously, a detected signal 11 produced by the temperature measuring unit 1. At first, the unit 2 determines conditions for starting prediction, and subsequently predicts 40 the temperature to be attained at thermal equilibrium constantly at short time intervals using the latest information, such as time signal obtained from an internally provided elapsed time measurement function, as well as signal 11 continuously provided by the temperature measurement unit 1, continuously evaluating the suitability of the prediction and concurrently executing weighting processing so that the displayed value of predicted temperature will show a smooth transition. The unit 2 delivers a resulting prediction signal 12 to 45 the display unit 3 substantially continuously until thermal equilibrium is attained. The above mentioned prediction operation is suspended when a decision is made that the temperature signal is not be applicable for the prediction, and instead, the temperature signal is delivered to the display unit 3.

The display unit 3 displays a predicted equilibrium temperature or detected temperature. Also, the display unit 3 also provides a function informing the user which measurement mode is in operation.

50 Fig. 2 is a block diagram illustrating in some detail the construction of an embodiment of an electronic clinical thermometer according to the present invention. In Fig. 2, like reference numerals denote like or corresponding parts in the electronic clinical thermometer of Fig. 1. It should be noted that the figure is a functional block diagram which shows functions which are performed by the stored program fixed in a ROM of a microcomputer. By reading the description thereof given hereinafter, those skilled in the art will be 55 capable of readily understanding the invention to a degree necessary for working the same.

The temperature measuring unit 1 comprises a temperature responsive element 4 such as a thermistor, and a temperature measuring circuit 5. The latter, which receives an electric signal 13 indicative of sensed body temperature received from the temperature responsive element 4, samples and converts the signal 13

into digital output signals 14, 15 indicative of real-time temperature.

The arithmetic unit 2 for predicting temperature comprises a measurement control circuit 7, a time measuring circuit 6, a corrective value computing circuit 8, an adding circuit 9, a predicted temperature monitoring circuit 10 and a signal switch 27. The measurement control circuit 7 controls the overall operation of the electronic clinical thermometer. This is achieved by constantly monitoring the real-time temperature signal 15 from the temperature measuring circuit 5, and supplying the time measuring circuit 6 with a clock signal 16 and the corrective value computing circuit 8 with a control signal 22 when predetermined measurement conditions are satisfied. The time measuring circuit 6 responds to the clock signal 16 by clocking elapsed time from the start of measurement, producing a signal 17 indicative of the elapsed time.

The corrective value computing circuit 8 computes and produces a signal 18 indicative of a corrective temperature differential (add-on value) for temperature predicting purposes, the value of U being the difference between real-time temperature and temperature attained at thermal equilibrium, in accordance with temperature sensed at sampling instants based upon an input of the elapsed time signal. The corrective value computing circuit 8 also produces a display corrective value signal 23 obtained by weighting the corrective signal 18. The corrective value computing circuit 8 incorporates a function for obtaining the corrective temperature differential as a function of elapsed time. The function includes several parameters which influence the corrective temperature differential. These parameters are set at the initiation of measurement, for example when a control signal 22 from the measurement control circuit is first applied to the computing circuit 8, so as to take on specific values, e.g. values defined such that a temperature rise with elapsed time will be the most likely average temperature change, which is obtained statistically in advance by an actual measurement. As will be described later, the corrective value computing circuit 8 has three functions. The first is to compute the corrective temperature differential corresponding to the elapsed time signal 17 input thereto, the output signal 18 being indicative of the computed value. The second function is to alter, upon receiving a negative feedback control signal 20 from the predicted temperature monitoring circuit 10, the values of the parameters which influence the corrective temperature differential, namely the function for obtaining the corrective temperature differential. The third function is to subject the corrective temperature differential to a weighting operation which is a function of elapsed measurement time, as shown in Figs. 6(a), (b), thereby outputting the display corrective value signal 23 for the display of predicted temperature.

The adding circuit 9 adds the real-time temperature signal 14 and the corrective signal 18, producing a predicted temperature signal 19, which is the sum of the real-time temperature $T(t)$ and the corrective temperature differential $U(t)$ for predicting purposes. The adding circuit 9 also adds the real-time temperature signal 14 and the display corrective value signal 23, producing a predicted display temperature signal (T_p) 21, which is the sum of the display corrective value ($W(t) U(t)$) for display purposes and the real-time temperature $T(t)$.

The predicted temperature monitoring circuit 10 monitors the signal 19 constantly and decides whether the predicted temperature is within prescribed limits for a prescribed period of time. The monitoring circuit 10 outputs the negative feedback control signal 20 to the computing circuit 8 when the predicted temperature is outside these limits, and outputs a display control signal 24 to the computing circuit 8 for activating the temperature display when said temperature is within the prescribed limits. The predicted temperature monitoring circuit 10 also indirectly judges whether the curve of the real-time temperature signal 14 is applicable to perform the prediction operation. In cases where the decision is made that the curve is not appropriate, a contact point of switch 27 is shifted to b-side from a-side; thus the measurement mode is changed to the prediction mode from the direct reading mode (referred to as D-Mode in the drawings).

In the temperature measuring unit 1, the electronic signal 13 from the temperature responsive element 4 is converted into the signals 14, 15, which are capable of being converted into real-time temperature. The output signal 15 of the temperature measuring circuit 7 immediately applies the clock signal 16 to the time measuring circuit 6 when predetermined conditions are satisfied, e.g. when the signal indicates that a certain temperature has been exceeded at a temperature change in excess of a certain value; that is, the electronic clinical thermometer was brought into contact with the measurement region. At the same time, the control circuit 7 applies the control signal 22 to the corrective value computing circuit 8, thereby giving an instruction to begin.

The corrective value computing circuit 8, upon receiving as an input the elapsed time signal 17 from the time measuring circuit 6, computes the corrective temperature differential for predicting final temperature, this value being the difference between real-time temperature and temperature attained at thermal equilibrium. The signal 18 indicative of the corrective value is applied to the adding circuit 9. As mentioned

above, the corrective temperature differential is incorporated in the corrective value computing circuit 8 as a function solely of elapsed time t including several parameters which influence the corrective temperature differential.

5 These parameters are reset at the initiation of measurement, for example when the control signal 22 from the measurement control circuit is first applied to the corrective value computing circuit 8 (the signal 22 being applied at the same time that the clock signal 16 is applied to the measurement control circuit 6), so as to take on a values which define a specific temperature change. The corrective value computing circuit 8 computes the corrective temperature differential as soon as the elapsed time signal 17 arrives, and delivers the corrective value signal 18 to the adding circuit 9.

10 The adding circuit 9 receives and takes the sum of the real-time temperature signal and the corrective value signal 18, producing the predicted temperature signal 19 which is the sum of the corrective temperature differential and real-time temperature. The signal 19 is applied as an input to the predicted temperature monitoring circuit 10, which monitors the predicted temperature constantly. When the predicted temperature is constant for a certain period of time, the monitoring circuit 10 regards the results of the
15 corrective temperature value computation performed by the computing circuit 8 as being appropriate. In other words, when the predicted temperature is determined to be constant for a certain time period, the monitoring circuit 10 decides that the selection of the computation process, function and parameter applied in the computation of the corrective temperature value are appropriate. When such is the case, the display control signal 24 is delivered to the corrective value computing circuit 8 and the predicted display temperature signal 21 is produced and applied to the display unit 3. When the predicted temperature falls outside, say, a fixed range of temperature variation within a predetermined period of time, the monitoring circuit 10 applies the negative feedback control signal 20 to the corrective value computing circuit 8. The latter responds by implementing the abovementioned second function thereof, namely by altering the
20 parameters which influence the corrective temperature differential. Thus, the corrective value computing circuit 8 recomputes the corrective temperature differential, conforming to the elapsed time signal 17, based on the altered parameters. The corrective signal 18, which is the result of this computation, is again applied to the adding circuit 9, the latter producing the predicted temperature signal 19 which is monitored by the predicted temperature monitoring circuit 10.

The predicted temperature monitoring circuit 10 repeats the foregoing process, with the result being
30 that the weighted predicted temperature is displayed by the display unit 3.

The foregoing series of process steps, namely the computation of the corrective temperature differential by the computing circuit 8, the addition operation performed by the adding circuit 9 the monitoring of the predicted temperature by the monitoring circuit 10, the negative feedback applied from the monitoring circuit 10 to the computing circuit 8, and the weighting processing executed when the display is made, are
35 performed in a short period of time, and the predicted temperature displayed on the display circuit 3 is presented substantially continuously and makes a smooth transition.

Fig. 3 is a front view of the display unit 3 which shows a display screen surface, in which 31 denotes a display screen made of LCD. A symbol 32 or 33 is displayed on the LCD screen for indicating that the displayed temperature is the predicted equilibrium temperature or actual detected temperature. Here the
40 symbol 32 is a sign for the predicted equilibrium temperature and the symbol 33 is for the sign of the detected actual temperature. These symbols are provided for giving information on the measurement state-(mode) to users; however, please note that the symbols are not limited to the examples for discriminating the measurement mode. It is possible to adopt a blinking symbols or to invert black and white on the LCD screen.

45 Next will be described the process through which temperature reached on attainment of thermal equilibrium is predicted with the embodiment of Fig. 2. For the discussion, reference will be had to the flowchart of Fig. 4 and 5 and the corrective temperature differential curves illustrated in Fig. 6.

The first item requiring discussion is the corrective temperature differential, represented by U . In measuring body temperature, the time until the attainment of thermal equilibrium differs widely depending
50 upon the thermal characteristics of the clinical thermometer, the state of the part of the body where the temperature is sensed, and the part itself. If the thermal characteristics of the clinical thermometer are limited, however, then the various temperature change patterns can be classified into a number of categories. In other words, placing a limitation upon the thermal characteristics will make it possible to define a number of temperature change patterns. Two major categories of temperature change are those
55 resulting from, say, measurement orally and measurement by placement of the thermometer in an armpit. Several other categories may also be conceived, such as temperature change patterns exhibited by adults and children, but these are not particularly useful. Let us consider measurement of body temperature sensed in an armpit. With regard to oral measurement, it may be conceived in the same manner with the

exception that sets of parameters are different from those for an armpit.

It is known from measurement of armpit temperature for a wide variety of cases that approximately ten minutes is required for attainment of thermal equilibrium. Let U^* represent the difference between temperature T_e at thermal equilibrium and a temperature T during measurement. Upon investigation, it is found that U^* is expressed with good accuracy by the following formula:

$$U^* = T_e - T = t + C(t+1) \dots \dots (1)$$

10 where:

U^* : difference between equilibrium temperature and temperature during measurement

t : time from beginning of measurement

C : variable parameter

15 ' ' ' : constants in conformance with measurements taken under constant conditions. In particular, for measurement of body temperature in an armpit, the following holds with good regularity:

$$U^* = -0.002t + 0.25 + C(t+1)^{-0.6} \quad (2 \leq C \leq 12) \dots \dots (2)$$

20

where t is measured in seconds and U^* in degrees Centigrade.

When U^* in Eq. (2) is replaced by U and the value of the parameter is varied from $C=2$ to $C=12$, the curves shown in Fig. 4 are the result. The reason for replacing U^* with U is that the equilibrium temperature T_e corresponds to a predicted temperature T_p as far as execution of the prediction process is concerned. In other words, the corrective temperature differential U during the prediction process is given by the following equation:

$$U = T_p - T = -0.002t + 0.25 + C(t+1)^{-0.6} \quad (2 \leq C \leq 12) \dots \dots (3)$$

25 Figs. 4 and 5 are flowcharts of an algorithm describing the processing for temperature measurement as carried out by, say, the arrangement illustrated in the block diagram of Fig. 2.

With the start step 100, power is introduced to the system to actuate the temperature measuring circuit 5 (Fig. 2), upon which the process moves to a temperature measurement step 101. In this step, the signal 15 from the temperature measuring circuit 5 is monitored by the measurement control circuit 7. In decision steps 102, 103 it is decided whether or not a measurement of body temperature is to be performed. Specifically, in step 102, it is decided whether a predetermined temperature, say a temperature of 30 °C, has been exceeded. Step 103 decides whether the temperature rise is equal to or greater than 0.1 °C per second.

Both of these decisions are executed by the measurement control circuit 7. If an affirmative decision is rendered in both cases, then the process moves to a step 104 for reset start of the time measurement circuit 6.

45 In step 104, a counter in the time measuring circuit 6 for measuring elapsed time is reset by the first clock signal 16 generated by the measurement control circuit 7 and, at the same time, an elapsed time measurement begins in step 105. Step 106 is a decision step which calls for waiting a certain period of time until a subsequent temperature prediction step takes on practical meaning. For example, the system waits in standby for ten seconds until start of a computation for a corrective temperature. The reason is that the accuracy of temperature prediction is extremely poor, and would give unsatisfactory results, for a period of less than ten seconds.

50 When measured results are available for an elapsed time of ten seconds or more, the measurement control circuit 7 produces the control signal 22, which executes an initial setting step 107. In this step, the parameter C of the arithmetic expression incorporated in the corrective temperature value computing circuit 8 is set to a value having the highest probability of leading to a temperature prediction at thermal equilibrium, this being obtained statistically by performing actual measurements in advance. In the embodiment, $C=7$ in step 107. Next, step 108 calls for setting 0 to a counter N which is provided for

high probability of the prediction.

In step 9 flag FLP is reset because prediction has not yet been established and prediction mode (P-MODE) is displayed on the display unit 3. Next, step 110 calls for determining whether elapsed time t is in excess of a predetermined time t_l . Here, the predetermined time t_l is defined to be time within which prediction should be able to be established in the course of ordinary measurement. If it is not judged that prediction is established during this predetermined that period, it is judged that the curve shows unstable factors, thereby terminating the prediction operation. In view of the characteristics of the temperature rise course the predetermined time t_l for the measurement in the armpit is 100 seconds, and that for oral measurement 70 seconds. Immediately after measurement, such time duration is not sufficient to show a stable temperature rising curve. A computation of the corrective temperature value within the computing circuit 8 is performed, and accordingly, the corrective value signal 18 is delivered to the adding circuit 9. Then, the process moves to step 113 to perform the computation that corresponds to Eq.(3).

The first computation gives as a result a point on the curve marked $C=7$ in Figs 6 and 7 and on the curve marked $C=7$ in Fig. 7. Accordingly, for $t = 11$ sec, we have $U = 1.77^\circ\text{C}$. This is applied to the adding circuit 9 as the corrective value signal 18.

Adding step 114 calls for the adding circuit 9 to add the real-time temperature signal 14 and the corrective value signal 18 and deliver the sum to the predicted temperature monitoring circuit 10 as the predicted temperature signal 19. For example, since $U = 1.77^\circ\text{C}$ in the present example, and if $T(11) = 34.86^\circ\text{C}$, $T_p = 36.63^\circ\text{C}$ will be applied to the monitoring circuit 10 by the adding circuit 9 upon performing the addition $T_p = T(11) + U(11)$. The monitoring circuit 10 will receive two values of the predicted temperature T_p at a certain time interval for the same value of C . In a decision step 115, therefore, the predicted temperature T_p is investigated for any increase or decrease from one arrival to the next.

Three decisions are capable of being rendered in step 115 by comparing the change in T_p with a certain value a . If the decision is $dT_p/dt > a$, this indicates that an equilibrium temperature higher than that predicted at the present time can be expected. Accordingly, the process moves to a step 111 to increase the value of the parameter C .

If the decision is $dT_p/dt < -a$, then this indicates that an equilibrium temperature lower than that predicted at the present time can be expected. The process therefore moves to a step 124 to decrease the value of the parameter C . For $|dT_p/dt| < a$, the indication is that the equilibrium temperature predicted at the present time lies within limits where said temperature can be regarded as being approximately equal to the equilibrium temperature predicted previously. Therefore, the selected temperature prediction function is deemed to be on the right track for a real-time temperature measurement, and processing moves to step 116 for forming a predicted display temperature.

In steps 124, 127, the negative feedback control signal 20 from the monitoring circuit 10 is applied to the corrective value computing circuit 8 to change the parameter C . The value of the new parameter C is checked within the computing circuit 8 in accordance with steps 126, 129 and is used as the parameter in step 113 for recomputation of the corrective value providing that upper and lower limits are not exceeded, i.e. provided that the increased parameter C does not exceed the set upper limit value 12 in decision step 129, and that the decreased parameter C does not fall below the set lower limit value 2 in decision step 126.

However, in cases where the parameter C exceeds the upper limit value 12 in decision step 129, and falls below the set lower limit value 2 in decision step 126, it is decided that the real-time temperature signal 14 is outside predictable limits of the prediction function. In other words, there is no probability of a coincidence of the curves drawn by the prediction function and the real-time temperature signal. Curves (a) and (b) in Fig. 6 depict curves with no probability of coincidence. The curve (a) indicates an equilibrium temperature higher than that which it is possible to reach and the curve (b) indicates that an equilibrium temperature lower than that which it is possible to reach. In either case, therefore, it is meaningless to display the predicted equilibrium temperature, flag FLP is reset in step 122, direct reading mode is indicated on display unit 3, and the real-time temperature is displayed in step 123.

It should be noted that the curves (a) and (b) should not be restricted to the form depicted in the drawing. They may take any form. Whenever decision steps in 126 or 129 make a decision that the curves are exceed the conditions, it denies absolutely the possibility of coincidence between the curve and the prediction function. Curves (a) and (b) are conceived to show typical curves for which it is impossible to perform a prediction of the equilibrium temperature. Therefore, to evaluate the curves (a) and (b) are equivalent to evaluate any and all temperature rise curves which do not fall within the range of a group of standard curves prepared as prediction functions. With regard to a curve (c), no decision has been made that it exceeds conditions in step in 126, 129. No decision has thus been made on the possibility of coincidence because there remains some possibility for establishing prediction at that instant.

Now, control goes to step 116 and calls for adding "1" to the counter N because the predictive equilibrium temperature at two successive sampling instants are found to be in coincidence. That is, at this instant, it may be supposed that a part of both the curve of real-time temperature and that of drawn by the selected prediction function coincide. In decision step 117, the magnitude of the corrective value $U(t)$ is evaluated. When $U(t) < 0$, the measurement mode is changed to the direct reading mode because there is no value to be added on. Such situation will be produced after considerable measurement time has elapsed. More precise measurement can be expected by placing the thermometer in the state of direct reading mode. When, $U(t) \geq 0.1$, the value of the counter N is examined in step 118. Where the corrective value $U(t)$ is larger or equal 0.1, the clinical thermometer exhibits its greatest predictive ability. In step 118, if the number of N in the counter is not larger than 3, the prediction is still uncertain, and the processing goes back to step 110. If the value of the counter N is larger than 3, it indicates that the predictive equilibrium temperature T_p of four successive sampling instants approximately coincide; thus both the curve of the real-time temperature and the selected prediction curve are assumed to be largely coincident. Then processing moves to step 119 and sets FLP at " 1 ", thereby establishing the validity of the prediction. If this is occurring for the first time, a buzzer sound is generated. It is needless to say that the establishment of prediction validity also may be indicated by setting the counter N to " 1 ".

The step 120 calls for weighting (described later) to be performed in order to form the predicted display temperature. The display step 121 calls for the presently prevailing predicted display temperature signal 21 to be outputted by the adder 9 so that the predicted display temperature at the present point in time may be displayed by the display unit 3. When step 113 ends, the process returns to the corrective value computation step 101 while the predicted temperature remains displayed on the display unit 3.

Thus, after establishment of the validity of the prediction, the series of prediction operations is continued, whereby more precise temperature prediction is possible in accordance with user's volition. If the condition $0 < U(t) < 0.1$ is satisfied, the processing moves to step 120. At this stage, the add-on value becomes small, so that the accuracy of the prediction is sharply increased. Thus we can judge that the validity of the prediction is established at that stage.

Thus, the predicted temperature is displayed on the display unit, after such processing as rounding to the nearest whole number, only when the condition $|dT_p/dt| < a$ is satisfied. The displayed value is retained until the next display step. The processing loops such as steps for arithmetic operation or display is controlled by the measurement control circuit 7 so as to be repeated at a predetermined interval of, say, one second.

Where the curve of the real-time temperature describes curve (c) in Fig. 6, the validity of the prediction is not readily established. Temperature rising data shows an unstable transient if poor contact of the probe with the skin is maintained for some time, or the probe virtually loses contact with the region. If this kind of situation continues for the first predetermined time period T_1 , a decision Yes is rendered in step 110, and processing moves to step 111 where the state of the flag FLG has not been set. The measurement state is changed into the direct reading mode because it cannot expect to correctly measure the temperature even if the prediction mode is continued in such measurement circumstance. When the set of flag FLP is confirmed in step 111, processing moves to step 112 where it is confirmed whether the second predetermined time period T_2 has elapsed or not. By way of example, the second predetermined time period T_2 is a time period such that sufficient measurement time has passed since the initiation of measurement that no add-on value is necessary. As will be described later, the add-on value becomes 0 when 8 minutes 30 seconds of measurement time has elapsed in the case of armpit measurement, and 6 minutes 30 seconds in the case of oral measurement. Accordingly, measurement is changed to the direct reading mode when such condition of time elapse is satisfied according to the manner of measurement (i.e. oral or armpit measurement). If the user continues measurement after the buzzer sound is generated, the time T_2 will soon expire and, he will see both the indication of the direct reading mode as well as the measurement data.

In the example of Figs. 3 and 4, the algorithm alters the value of the parameter C in increments or decrements of one. In such case the resolution of the predicted temperature will be on the order of 0.1°C at about 50 seconds into the prediction computations. To obtain even greater resolution, therefore, the value of the parameter C should be incremented or decremented by 0.5 in steps 124 or 128. Further, the value of a in the decision step 110 need not be constant. It can, for example, be a function the value whereof diminishes with time. Such an expedient is preferred in view of the fact that the temperature difference separating one corrective temperature curve from another in Fig. 6 grows smaller with the passage of time. To compute dT_p/dt , obviously various methods are conceivable using a running average or three values of T_p separated widely in time, so long as there is no significant influence upon the accuracy of measurement. In any case, even when the display step 121 is eventually selected as the result of the decision in step 115,

processing returns to step 115 through the corrective value computation step 113 and adding step 114 for computation of T_p . During the repeated execution of this loop, the computation for predicting temperature is regarded as following the actual temperature change. Accordingly, the computed value of the predicted equilibrium temperature will stabilize and the displayed value thereof will make a smooth and rapid transition. The corrective value U will follow e.g. the curve $C=7$ in Fig. 7.

At time $t=16$ sec, the decision rendered in step 115 is $dT_p/dt > a$, after which the process moves to step 127 where the parameter C is incremented to 8. On the curve $C=8$, we will have $U=1.63^\circ\text{C}$. If $T=35.20^\circ\text{C}$ at such time, then the result of computation in step 114 will be $T_p=36.83^\circ\text{C}$. Now, in accordance with step 115, two values of the predicted temperature (i.e. two values taken at a certain time interval), for the same $C (=8)$, are checked. As long as the change in T_p does not exceed a certain value, the loop which includes the display step, 121 is stepped through repeatedly, so that a value of T_p in the neighborhood of 36.8°C is obtained continuously. As will be described below, weighting at this time is 36%, so that the substantial display temperature is lower than 36.8°C . At time $t=53$ Sec, the program proceeds to the loop decided by $dT_p/dt > a$, so that the curve tracked is indicated by $C=9$. Since $U=0.96^\circ\text{C}$, $T=36.03^\circ\text{C}$ will now hold, the result of calculation in step 120 will be $T_p=36.99^\circ\text{C}$. As will be described below, weighting at this time is 100%, so that the substantial display temperature is 36.99°C . From this point onward the prediction of temperature proceeds along the curve $C=9$. The value of T_p being rounded off is as indicated by the dashed line 200 in Fig. 7.

Thus, as described hereinabove, body temperature which will prevail at thermal equilibrium is predicted and displayed substantially continuously.

In the algorithm illustrated in Figs. 4 and 5, the parameter C is initially set to the value of 7 in step 107. By doing so, however, there may be instances where the displayed value diminishes with time, owing to the method of processing or the way in which the value of a is selected in the decision step 115 for monitoring the predicted temperature. To give the operator a more natural impression of temperature transition, therefore, C can be set initially to 2 in step 107, so that the displayed value will, in general, rise with the passage of time. Thus, parameter selection causes the equilibrium temperature to be rapidly approached with respect to elapsed measurement time.

Figs. 9 and 10, illustrate a change in weighting with respect to elapsed measurement time, in which Fig. 9 is a graph of weighting set for temperature measurement in an armpit and Fig. 10 is a graph set for temperature measurement taken orally. These graphs are example of weighting characteristics determined statistically and on the basis of experience taking into consideration differences in the thermal equilibrium characteristics of the part of the body measured.

Generally, sensed temperature immediately after the thermometer is contacted with the body exhibits a steep temperature variation. The abovementioned add-on value for this portion of the temperature curve is large in magnitude. Until the prediction function selected is an appropriate one, therefore, the add-on value also undergoes a discontinuous and large-scale variation due to the changing of the prediction function. Consequently, if the add-on value during this interval of time were added on as is, the predicted temperature display would be unstable and difficult to read. Accordingly, until passage of a predetermined period of time from the start of measurement, the corrective value computing circuit 8 subjects the add-on value (corrective value signal 18) obtained to weighting having a linearly increasing characteristic. For example, if the temperature measurement is taken in the armpit, then weighting having a slope that will raise the add-on value to 100% is applied until 45 seconds elapse from the start of measurement. If the temperature measurement is taken orally, then weighting having a slope that will raise the add-on value to 100% is applied until 30 seconds elapse from the start of measurement.

When the first predetermined time period elapses, the rise in the sensed temperature becomes more gentle and the add-on value for this portion of the curve also falls within a suitable range. From this point onward, the rapidity at which the prediction converges toward the final temperature and the accuracy of the prediction become important factors. Accordingly, when the first predetermined time period elapses, the correcting value computing circuit 8 subjects the add-on value (the corrective value signal 18) obtained to 100% weighting until the elapse of a second predetermined time period. This is equivalent to not executing weighting processing. By way of example, the fourth predetermined time period is 348 seconds (six minutes and 24 seconds) from the start of measurement in case of armpit measurement and 256 sec (four minutes and 16 seconds) from the start of measurement in case of oral measurement.

When the fourth predetermined time period elapses, the sensed temperature itself falls within a range close to the equilibrium temperature. When this much time has passed, the merits of performing a prediction diminish and it is better to shift to a direct display-type function. Accordingly, when the fourth predetermined time period elapses, the corrective value computing circuit 8 subjects the add-on value (corrective value signal 18) to weighting having a linearly decreasing characteristic until passage of a third

predetermined time period. By way of example, for measurement taken in an armpit, weighting having a slope for a weighting transition of 100% to 0% is performed from a point 384 seconds after the start of measurement until a point 511 seconds after the start of measurement (8 minutes and 31 seconds). For measurement taken orally, weighting having a slope for a weighting transition of 100% to 0% is performed
 5 from a point 256 seconds after the start of measurement until a point 384 seconds after the start of measurement (6 minutes and 24 seconds). The continuity of the displayed temperature is maintained by not suddenly applying 0% weighting in this time interval. In other words, a smooth and gradual transition is made to the direct reading state by gradually reducing the percentage occupied by the add-on value.

When the fourth predetermined time period elapses, the sensed temperature itself indicates the thermal
 10 equilibrium temperature. From this point onward, therefore, the add-on value is 0. The electronic clinical thermometer of the present embodiment thenceforth functions as a conventional direct reading-type clinical thermometer and temperature can be measured until the user is satisfied. The displayed temperature is thus enabled to make a smooth transition with the passage of time. The requirement for a rapid display of predicted temperature as well as an accurate direct reading of temperature is thus satisfied.

Fig. 10 is a graph useful in describing the transition
 of a predicted display temperature from the start of measurement in an armpit. By way of example, the prediction function associated with a parameter $C=8$ being selected at the present point in time is prescribed at the corrective value signal 18, as illustrated in Fig. 10. It will be understood that when the selected parameter $C=8$ matches the rising curve of the real-time temperature signal 14, the predicted
 20 temperature signal 19 rapidly attains the thermal equilibrium temperature. Accordingly, if an appropriate parameter selection is always made, the predicted temperature signal 19 will be displayed, whereby an ideal temperature display is obtained. However, since the initially set value of the parameter C is a statistically determined value having the highest probability of leading to a temperature prediction at thermal equilibrium, the parameter C will not necessarily match the real-time temperature signal 14 at an early time.
 25 When matching is not achieved, the predicted temperature signal 19 will probably make an unstable transition due to the changeover of the prediction function. For example, there are cases where the predicted temperature signal initially exhibits a value higher than the equilibrium temperature and then gradually decays, and cases where the predicted temperature signal is initially quite low and then rises sharply. Accordingly, elapsed-time weighting shown in Fig. 6(a) is applied to the add-on value $U(t)$ of the
 30 prediction function in the time interval from the start of measurement to the instant 45 seconds thereafter. As a result, the corrective value signal 23 for display purposes is calculated in accordance with $U' = W(t)U(t)$, the signal starting at a value of 0 and then gradually rising. In the time interval from the start of measurement until 45 seconds thereafter, therefore, the display temperature signal 21 is smaller than the predicted temperature signal 19, rises smoothly and quickly attains the equilibrium temperature before the
 35 real-time temperature signal 14. Forty-five seconds after the start of measurement, a continuous, accurate and stable display of equilibrium temperature is achieved.

With the present state of the art, a hardware arrangement of the kind shown in Fig. 11, which makes use of a microcomputer, is well suited for implementing the complicated temperature prediction algorithm of the kind shown in Figs. 3 and 4. Elements in Fig. 11 similar to those shown in Fig. 2 are designated by like
 40 reference numerals.

In Fig. 11, the temperature signal 14 from the temperature measuring circuit 5 is applied as an input to a processor 154 constituting part of the arithmetic unit 2. The temperature signal 15 from the temperature measuring circuit 5 is applied as an input to a temperature threshold value sensing circuit 150 and to a temperature change sensing circuit 151. The sensing circuit 150, which executes step 102, comprises a
 45 comparator for determining whether the temperature T expressed by signal 15 has exceeded a threshold temperature T_{th} , producing a signal 160 when such is the case. The temperature change sensing circuit 151, which executes step 103, determines whether the change in the temperature T with time, represented by signal 15, has exceeded a predetermined value k , and produces a control signal 161 when such is the case.

The control signal output 161 of the temperature change sensing circuit 151 is connected to a measurement control circuit 152. The latter produces an output 162 applied to a clock signal generating circuit 153, and an output 163 applied to the processor 154. The measurement control circuit 152 responds to the control signal 161 by actuating the clock signal generating circuit 153, and instructs the processor 154 to execute the process steps from step 105 onward. The clock pulse generating circuit 153 produces a
 55 clock pulse output 164 supplied to the processor 154, the latter responding by executing the aforementioned processing steps from step 107 onward in e.g. Figs. 4 and 5. In the illustrated embodiment the processor 154 can be realized in the form of a single-chip microcomputer.

The display unit 3 in Fig. 9 includes a buzzer circuit 155 for an audible alarm, as well as a display

device 156. The buzzer 155 is for informing the user of an error condition or of the fact that suitability of a prediction has been detected. The display device 156 is for displaying the predicted display temperature.

5 Effect of the Invention

In accordance with the invention as described above, predictive calculation are performed quicly and effectively if an ordinary temperature rise curve falls within the range of a group of standard curves prepared as prediction functions. In case of an unstable temperature rise curve that exhibits a transition not
10 covered by the group of standard curves, the prediction operation is suspended immediately and the actually measured temperature value is dispalyed at such time. This is to prevent obtaining an unreliable prediction based on the unstable curve. Accordingly, this makes it possible to indicate the correct body temperature value at all times under a wide variety of body temperature measurement conditions.

As many apparently widely different embodiments of the present invention can be made without departing from the spirit and scope thereof, it is to be understood that the invention is not limited to the
15 specific embodiments thereof except as defined in the appended claims.

Claims

20

1. An electronic clinical thermometer comprising:
 - temperature sensing means for sensing body temperature at a prescribed part of a body;
 - means for measuring elapsed time from the start of measurement;
 - arithmetic means for obtaining a corrective value at that instant utilizing one selected prediction
25 function at one time from among a plurality of the prediction functions in which elapsed measurement time is a variable, each function defining a temperature change up to a final;
 - predictive calculation means for calculating the equilibrium temperature based upon the obtained corrective value and the sensed body temperature at that instant;
 - evaluating means for evaluating the possibility of establishing a prediction;
 - 30 means for altering the measurement mode to a direct reading mode in accordance with the evaluation made by the evaluating means; and
 - display means for displaying a temperature value obtained through the measurement mode in which the thermometer is placed.
- 35 2. An electronic clinical thermometer according to claim 1, wherein the evaluating means evaluates the possibility of establishing prediction based upon the magnitude of a parameter employed in the prediction operation.
- 40 3. An electronic clinical thermometer according to claim 1, wherein the evaluating means employs the measured elapsed time as one evaluating element.
4. An electronic clinical thermometer according to claim 1, wherein the display means further includes discriminating means for discriminating the measuring mode in which the thermometer is placed.

45

50

55

FIG. 1

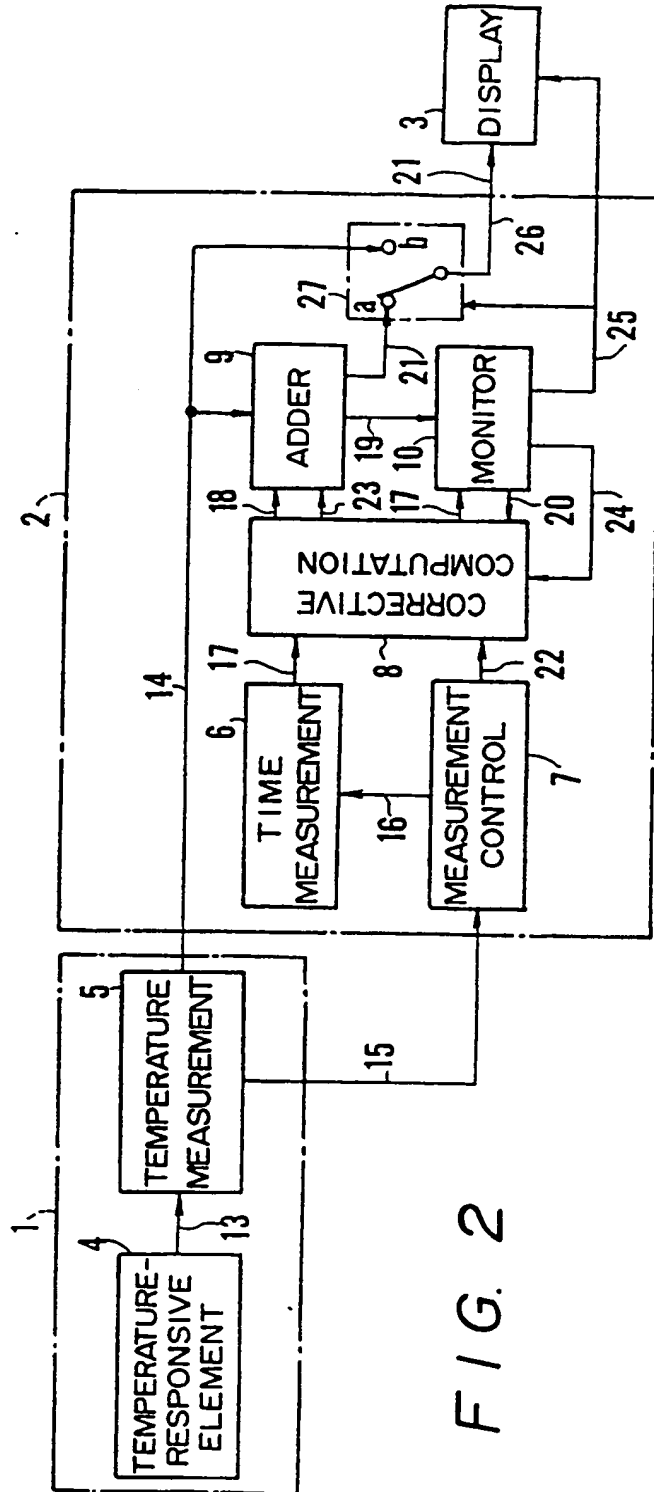
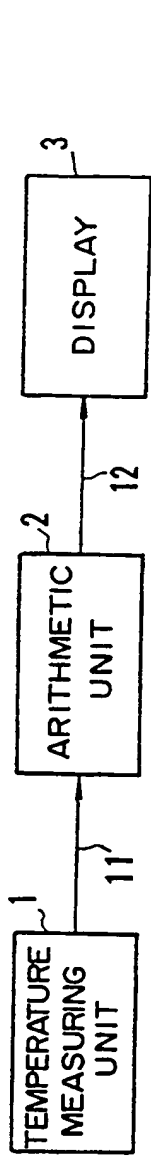


FIG. 2

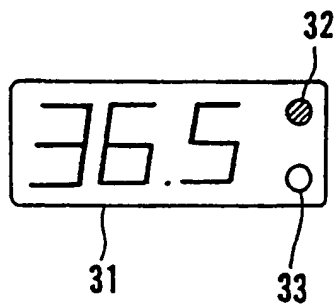


FIG. 3

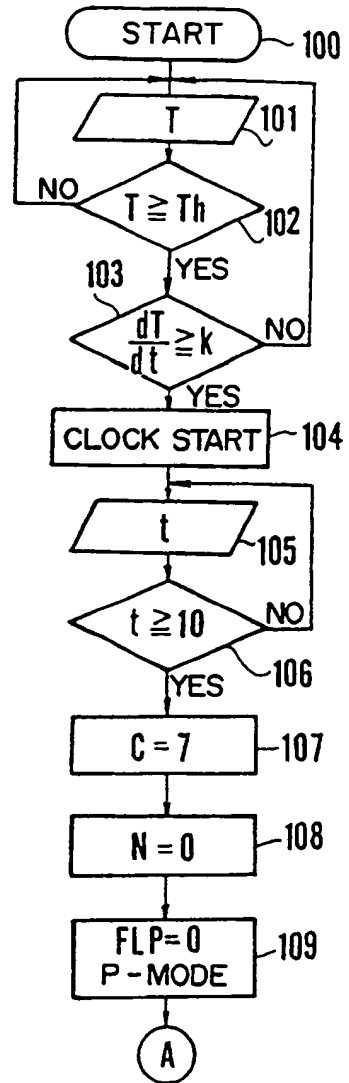


FIG. 4

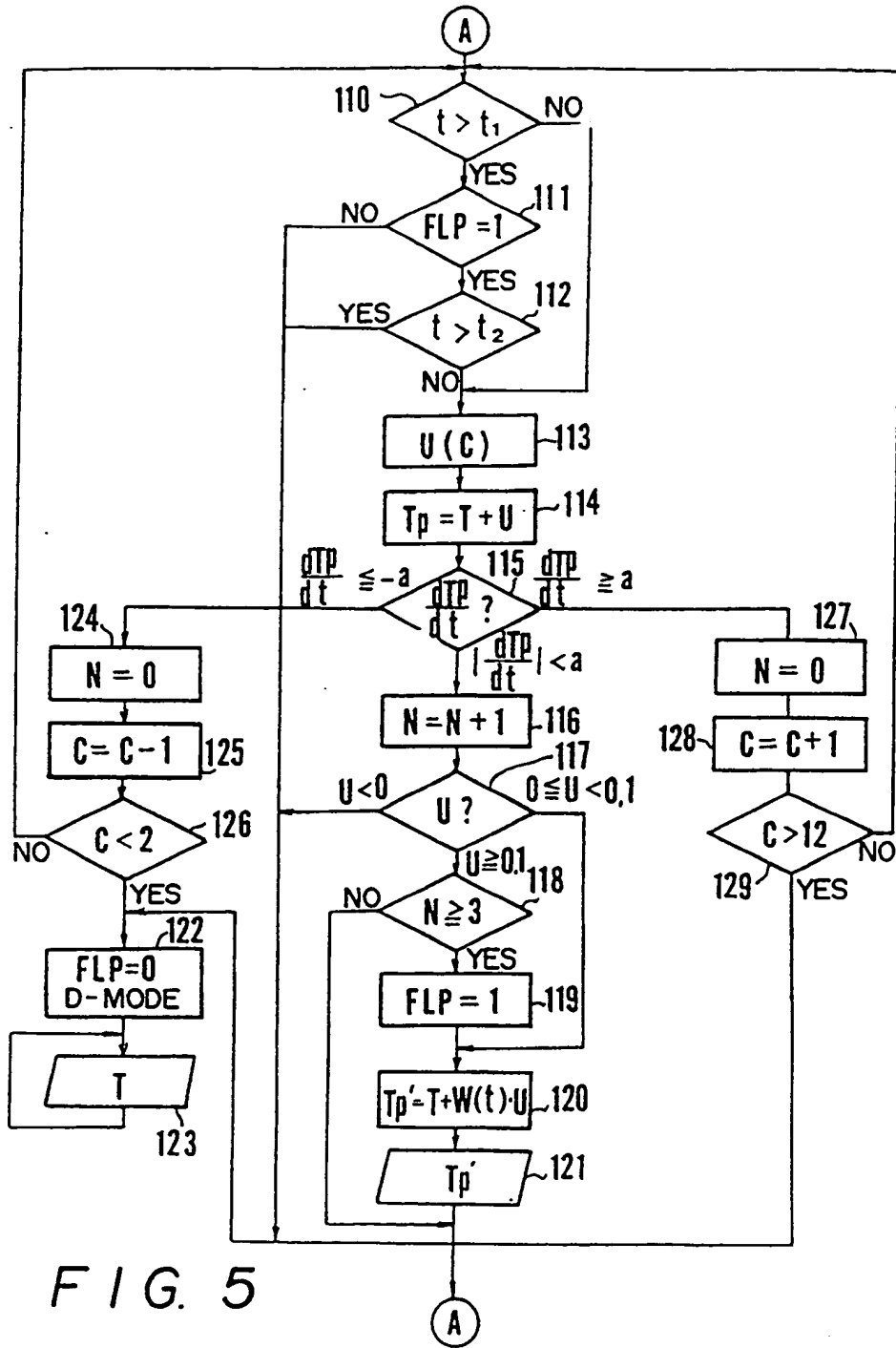


FIG. 5

FIG. 6

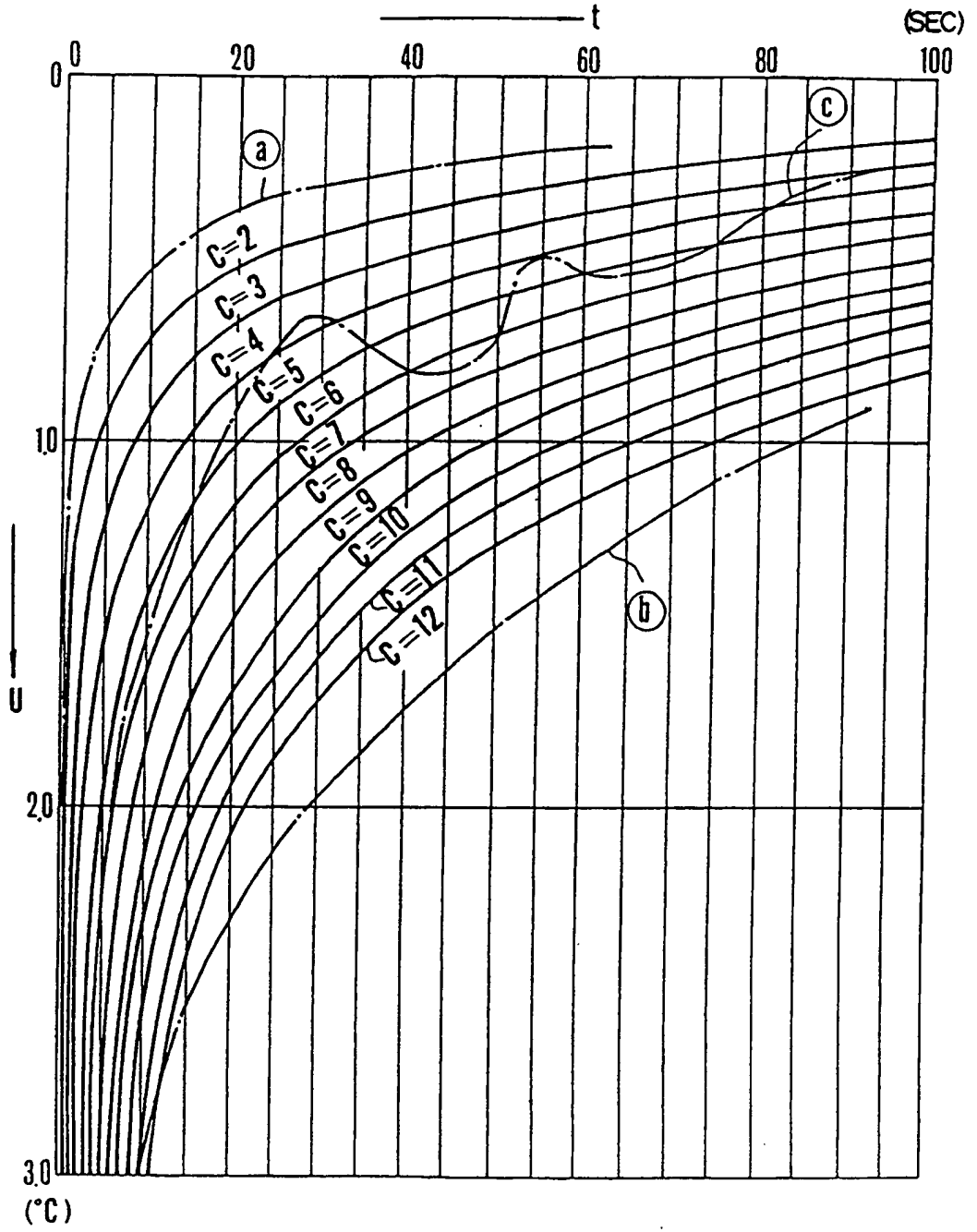
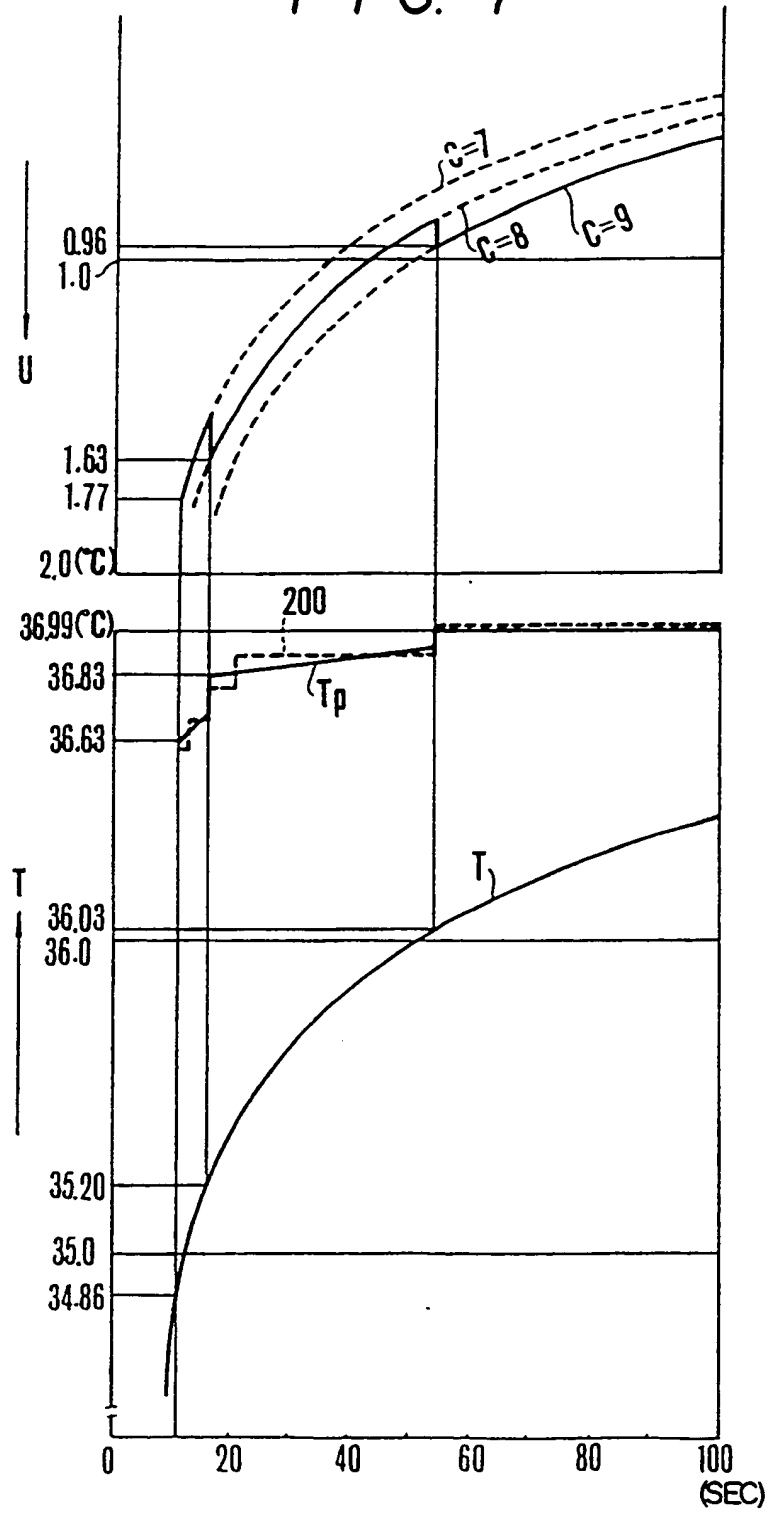


FIG. 7



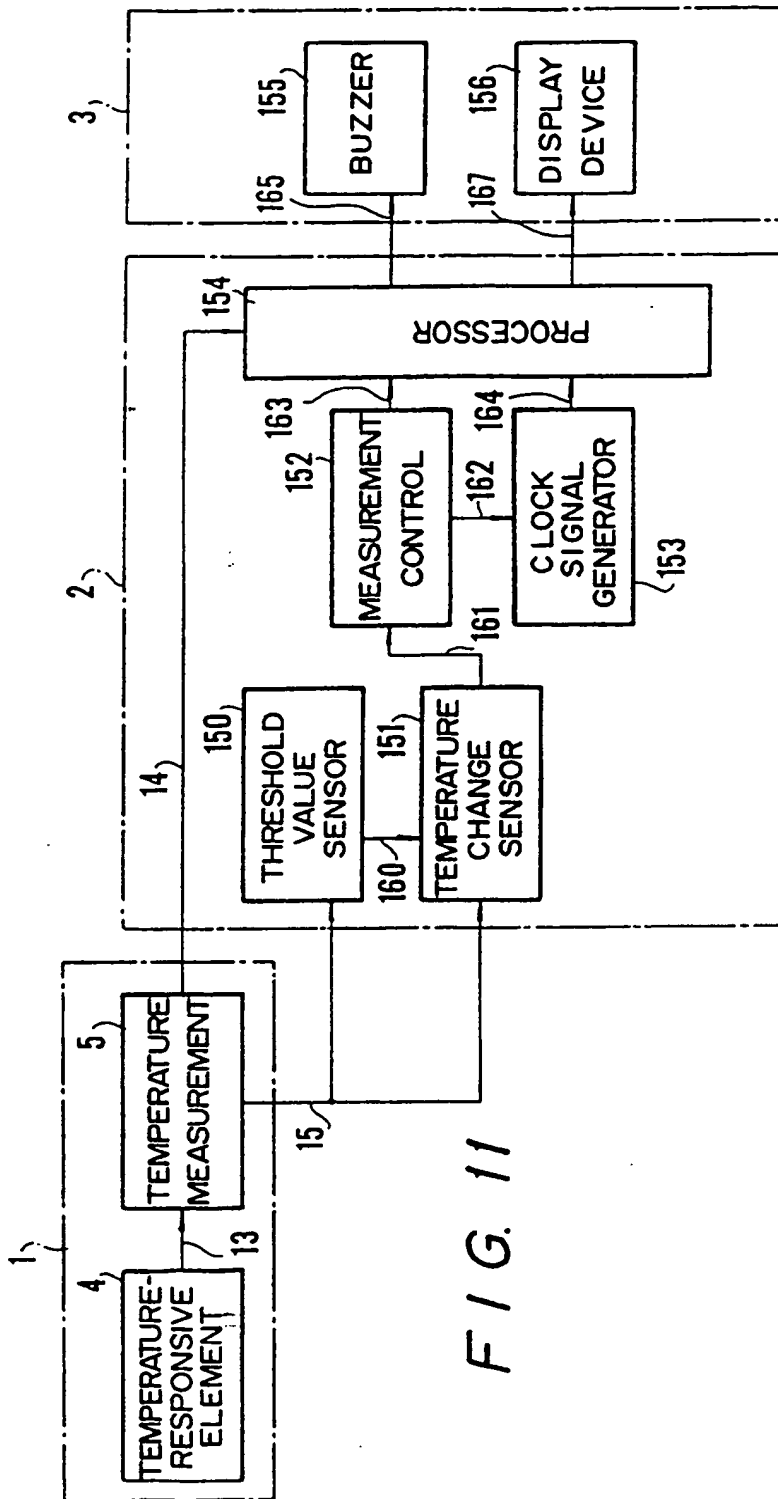


FIG. 11

INTERNATIONAL SEARCH REPORT

International Application No **PCT/JP87/00594**

I. CLASSIFICATION OF SUBJECT MATTER (if several classification symbols apply, indicate all) ³		
According to International Patent Classification (IPC) or to both National Classification and IPC		
Int.Cl ⁴ G01K7/00, 7/24		
II. FIELDS SEARCHED		
Minimum Documentation Searched ⁴		
Classification System ¹	Classification Symbols	
IPC	G01K7/00, 7/24	
Documentation Searched other than Minimum Documentation to the Extent that such Documents are included in the Fields Searched ⁴		
Kokai Jitsuyo Shinan Koho	1971 - 1987	
III. DOCUMENTS CONSIDERED TO BE RELEVANT ¹⁴		
Category ⁵	Citation of Document, ¹⁶ with indication, where appropriate, of the relevant passages ¹⁷	Relevant to Claim No. ¹⁸
Y	JP, A, 61-70429 (Terumo Kabushiki Kaisha) 11 April 1986 (11. 04. 86) (Family: none)	1-4
Y	JP, A, 58-167932 (Toshiba Corp.) 4 October 1983 (04. 10. 83) (Family: none)	1-4
A	JP, U, 60-165832 (Omron Tateisi Electronics Co.) 2 November 1985 (02. 11. 85) (Family: none)	1-4
<p>¹⁴ Special categories of cited documents: ¹⁹</p> <p>"A" document defining the general state of the art which is not considered to be of particular relevance</p> <p>"E" earlier document but published on or after the international filing date</p> <p>"L" document which may throw doubts on priority claim(s) or which is cited to establish the publication date of another citation or other special reason (as specified)</p> <p>"O" document referring to an oral disclosure, use, exhibition or other means</p> <p>"P" document published prior to the international filing date but later than the priority date claimed</p> <p>"T" later document published after the international filing date or priority date and not in conflict with the application but cited to understand the principle or theory underlying the invention</p> <p>"X" document of particular relevance; the claimed invention cannot be considered novel or cannot be considered to involve an inventive step</p> <p>"Y" document of particular relevance; the claimed invention cannot be considered to involve an inventive step when the document is combined with one or more other such documents, such combination being obvious to a person skilled in the art</p> <p>"A" document member of the same patent family</p>		
IV. CERTIFICATION		
Date of the Actual Completion of the International Search ¹	Date of Mailing of this International Search Report ²	
October 13, 1987 (13. 10. 87)	October 26, 1987 (26. 10. 87)	
International Searching Authority ¹	Signature of Authorized Officer ¹⁰	
Japanese Patent Office		

FIG. 8

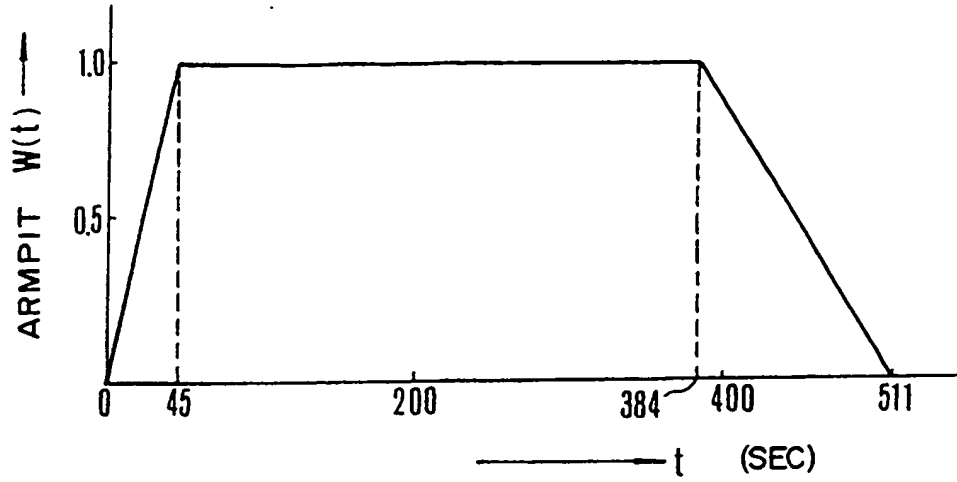


FIG. 9

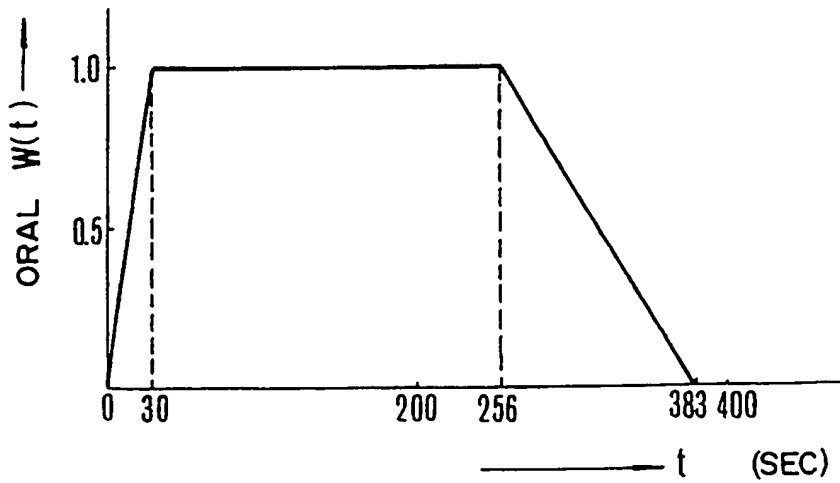


FIG. 10

